

HELIFLU™ TLM

The Compact Helical Turbine Flow Meter for Liquid Hydrocarbon Measurement



A COMPACT METERING SOLUTION

The **Heliflu™ TLM** flowmeter is designed for high accuracy measurement of **low to medium viscosity liquids and refined products**.

Meter installations and custody transfer operations are improved by the unique **weight and space saving** design which includes integrated flow conditioning.

The **Heliflu™ TLM** is fitted with a removable measuring cartridge and includes an integrated flow conditioner that allows installation without any upstream and downstream pipe runs.

Product applications

- Storage
- Airport refuelers
- Wagon & road tankers
- Loading racks
- Light products transfer
- Master metering



Key Benefits

Proven robust technology
Superior linearity and repeatability on multiple products with a single K-factor
Integrated flow conditioning : no straight length required
Easy to install
Horizontal or vertical installation
Long term stability and reliability
Low cost of ownership
Low downtime
Low pressure drop and energy consumption
Removable cartridge for easy maintenance
Complies with global certifications and standards
Calibrated on customer specified viscosities
Manufactured by a company with 90+ years of metering experience

MATERIAL SPECIFICATION

Size		Model	Nominal Flow range Min / Max						Typical K factor			Meter length		Approx. meter weight	
inch	mm		m ³ /h		l/min		GPM		pulse/m ³	pulse/l	pulse/gallon	inch	mm	kg	lbs
3	80	TLM 3-30	3	30	50	500	13	132	44,500	44.5	168.4	18.5	470	25	55
3	80	TLM 3-50	5	50	83	833	22	220	27,000	27	102.2	18.5	470	25	55
3	80	TLM 3-70	7	70	116	1,166	30	308	10,500	10.5	39.7	18.5	470	27	60
3	80	TLM 3-110	11	110	183	1,833	48	484	10,500	10.5	39.7	18.5	470	27	60
3	80	TLM 3-150	15	150	250	2,500	66	660	10,500	10.5	39.7	18.5	470	27	60
4	100	TLM 4-70	7	70	116	1,166	30	308	10,500	10.5	39.7	20	508	38	83
4	100	TLM 4-110	11	110	183	1,833	48	484	10,500	10.5	39.7	20	508	38	83
4	100	TLM 4-150	15	150	250	2,500	66	660	10,500	10.5	39.7	20	508	38	83
4	100	TLM 4-200	20	200	333	3,333	88	880	3,100	3.1	11.7	20	508	32	70
4	100	TLM 4-300	30	300	500	5,000	132	1,321	3,100	3.1	11.7	20	508	32	70

Performances

Linearity	±0.15% on 1 product ±0.3% on 2 & 3 products (±0.2% on premium)
Repeatability	<0.04%
Max. Flow rate	30 to 300 m ³ /h
Viscosity	≤15 cSt

Meter Specification

Meter size	3" to 4"
Flange rating	ANSI 150/300 (ASME B16.5)
Pick up coil	2
Sensor type	Inductive coil
Preamplifier	2 wires, 2 wires NAMUR, 3 wires Open Collector

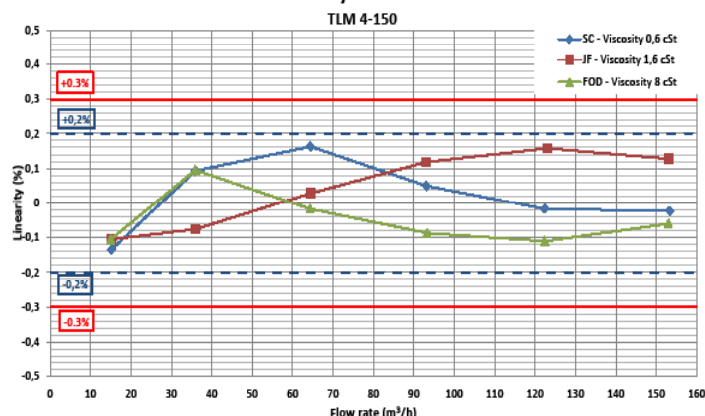
Material of Construction

Body and flanges	Stainless Steel
Internals	
Cartridge	316L Stainless Steel
Rotor	Aluminium
Bearings	Tungsten Carbide or Graphite
Electrical enclosure	316 Stainless Steel or Aluminium

Meter Approvals

Electrical	ATEX and IECEx (II2G – IIC T6) UL/cUL (Class 1 Div 1, Group C,D)
Pressure	PED directive compliant
Environment	EMC directive compliant
Metrology	OIML R117-1 MID (Class 0.5) ONML and other national approvals (upon request)

Linearity vs Flowrate



Meter Temperature Range

	ATEX/IECEX	UL/cUL
Ambient Temperature	-50°C to +80°C (-58°F to +176°F)	-50°C to +80°C (-58°F to +176°F)
Process Temperature	-50°C to +180°C (-58°F to +356°F)	-50°C to +150°C (-58°F to +302°F)
Ingress Protection	IP66	NEMA 4X
Storage Temperature	-50°C to +60°C (-58°F to +140°F)	

CONTACT FAURE HERMAN FOR MORE INFORMATION

FAURE HERMAN

Route de Bonnétable
BP 20154 – 72406 La Ferté Bernard Cedex
France
Tel : +33 (0)2 43 60 28 60
Fax : +33 (0)2 43 60 28 70
E-mail : fhprojects@idexcorp.com

FAURE HERMAN METER USA

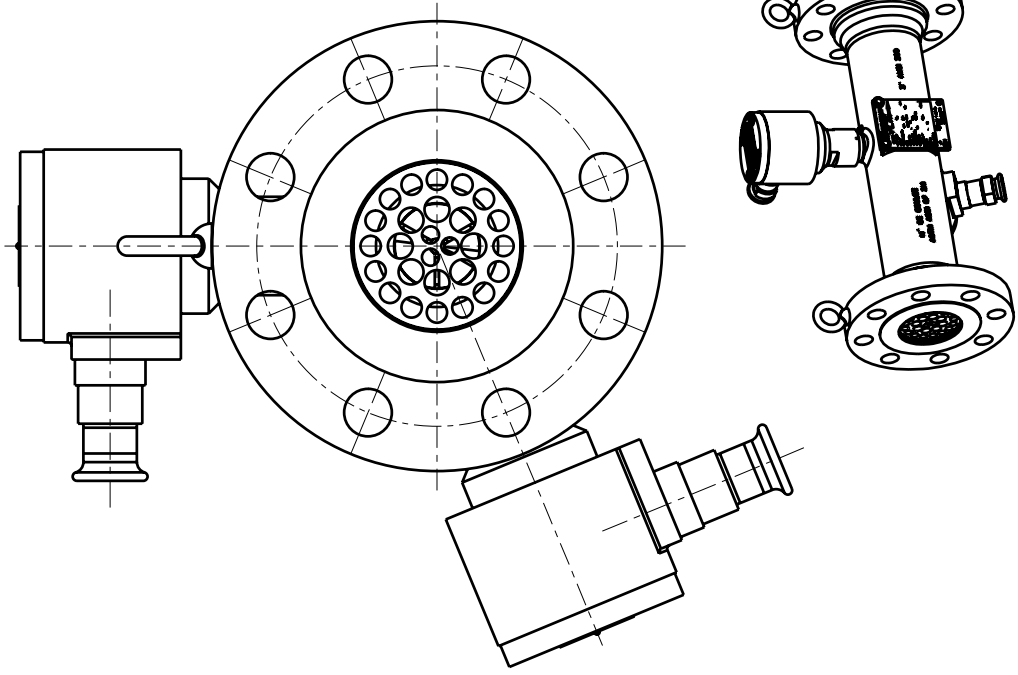
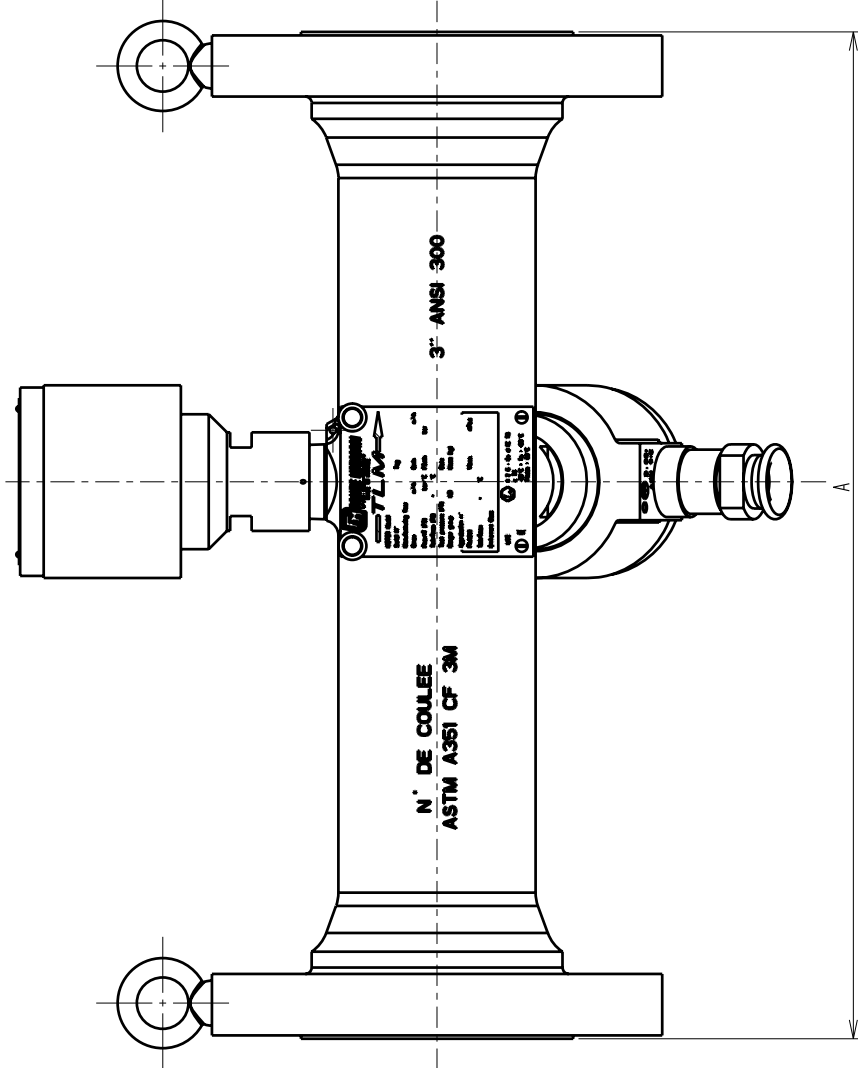
4702 North Sam Houston Parkway West
Suite 100
Houston, TX 77086 (U.S.A)
Tel : +1 713 623 0808
Fax : +1 713 623 2332
E-mail : FHH-Sales@idexcorp.com

FAURE HERMAN DUBAÏ

Office #738, Building #6EB
Dubai Airport Freezone (DAFZA)
Dubai (U.A.E)
Tel : +971 4260 0381
Fax : +971 4260 0319
Email : fhsalesme@idexcorp.com

www.faureherman.com





CALIBRE SIZE	A		Approx Poids Weights	
	mm	in.	Kg	lbs
80	470	18.5	27	59
100	508	20	37	82

Ce document est la propriété de FAURE HERMAN et ne peut être reproduit sans son autorisation
 This document is property of FAURE HERMAN reproduction is subject to authorization
 Ce document n'est pas contractuel, FAURE HERMAN se réservant le droit de modifier sans préavis certaines caractéristiques du produit.
 This documents is not contractual, FAURE HERMAN maintains the right to modify certain characteristics without notice.



ENCOMBREMENT DEBITMETRE A TURBINE TLM
 OVERALL DIMENSIONS TLM TURBINE FLOWMETER